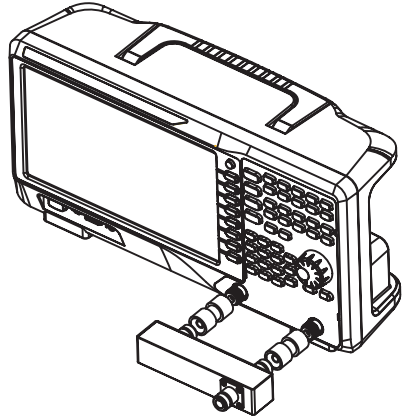


RBSSA3X20

反射电桥

产品介绍

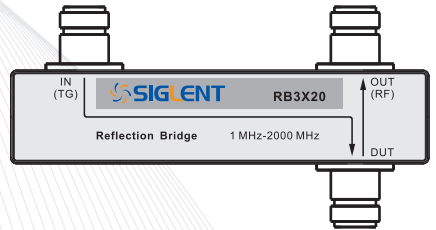
RBSSA3X20用于配合鼎阳SSA3000X系列频谱分析仪对被测设备进行回波损耗、反射系数和电压驻波比等相关指标的测量。反射电桥外观如右图所示,该套件同时提供2个N(M)-N(M)型适配器,用于与频谱仪端口连接。



接口说明:

- IN(TG)端口: 信号输入端, 用于连接电桥与频谱仪跟踪源输出端口
- OUT(RF)端口: 信号输出端, 用于连接电桥与频谱仪射频输入端
- DUT端口: 用于连接电桥与被测设备

反射电桥的信号输入端口与信号输出端口的间距专为SSA3000X系列频谱分析仪设计, 无需额外电缆连接, 以提高测试精度。

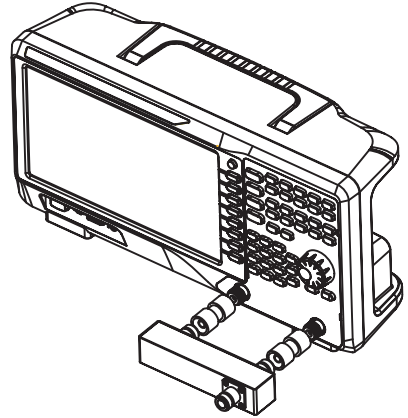


参数	RBSSA3X20		
频率范围	1 MHz至2000 MHz		
端口形式	N (阴) 型		
转接器	双N (阳) 型		
端口阻抗	50 Ω		
插入损耗	IN 至 DUT 5 dB (典型值)		
方向性	1 MHz-1.5 GHz	1.5 GHz-1.8 GHz	1.8 GHz-2.0 GHz
	20 dB (典型值)	17 dB (典型值)	14 dB (典型值)
尺寸	136 mm \times 75 mm \times 30 mm		
	外围接口 256 mm \times 190 mm \times 43 mm		
重量	0.3 kg		
	带外包装 0.5 kg		

RBSSA3X20 Reflection Bridge

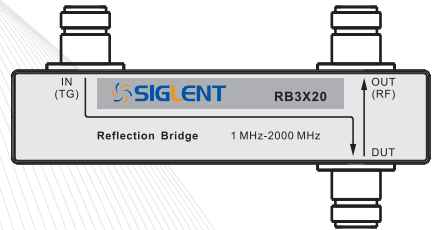
Product Introduction

RBSSA3X20 is used in connection with SIGLENT SSA3000X series spectrum analyzer to measure parameter such as return loss, reflection coefficient and VSWR. The RBSSA3X20 also provide 2 N(M)-N(M) adapters to connect with SSA3000X' s ports.



The reflection bridge has 3 ports as the figure shows:

- IN(TG): Signal input terminal. This terminal used to connect with the TG terminal of the spectrum analyzer
- OUT(RF): Signal output terminal. This terminal used to connect with the RF input terminal of the spectrum analyzer
- DUT: Here Device under test is connected



The distance of ports is designed for SSA3000X series especially in order to reduce extra cables and improve accuracy in measurement.

Parameters	RBSSA3X20		
Frequency range	1 MHz~2000 MHz		
Connector type	N (Female)		
Adapter	N(male)-N(male)		
Impedance	50 Ω		
Insertion loss	IN to DUT 5 dB (typical)		
Directivity	1 MHz-1.5 GHz	1.5 GHz-1.8 GHz	1.8 GHz-2.0 GHz
	20 dB (typical)	17 dB (typical)	14 dB (typical)
Size	136 mm × 75 mm × 30 mm		
	With package 256 mm × 190 mm × 43 mm		
Weight	0.3 kg		
	With package 0.5 kg		